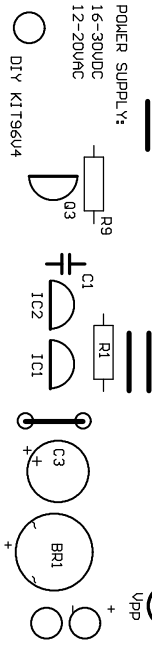
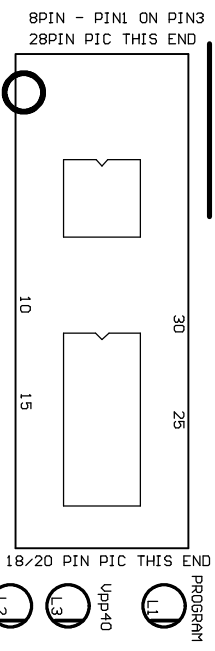
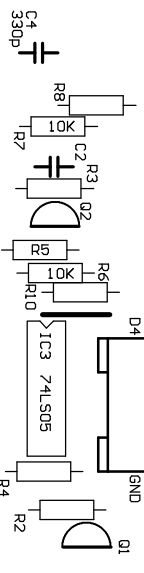
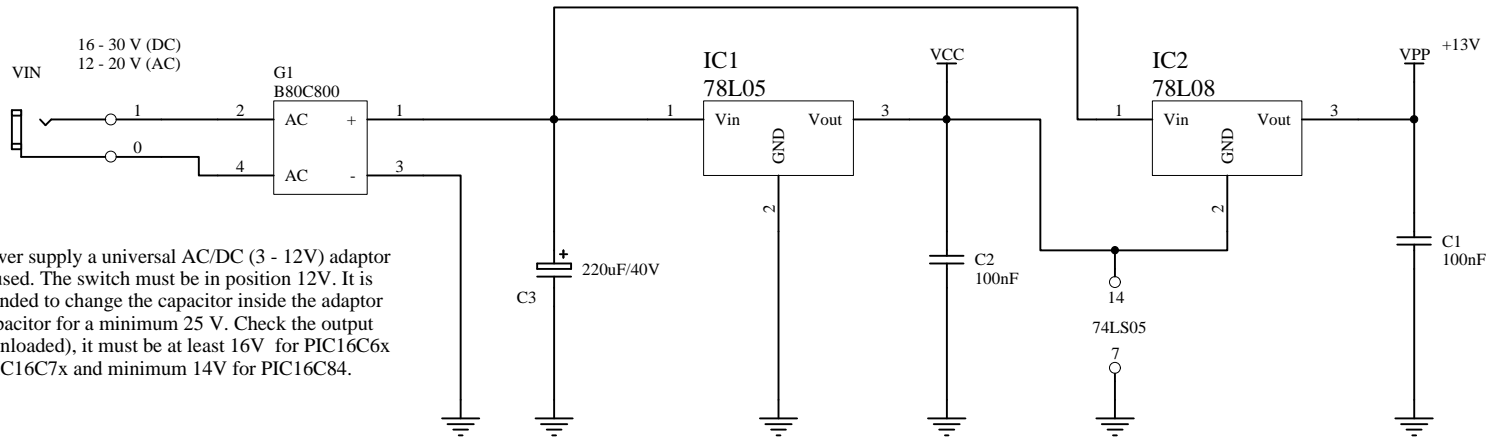


○ PICCXX PIC PROGRAMMER

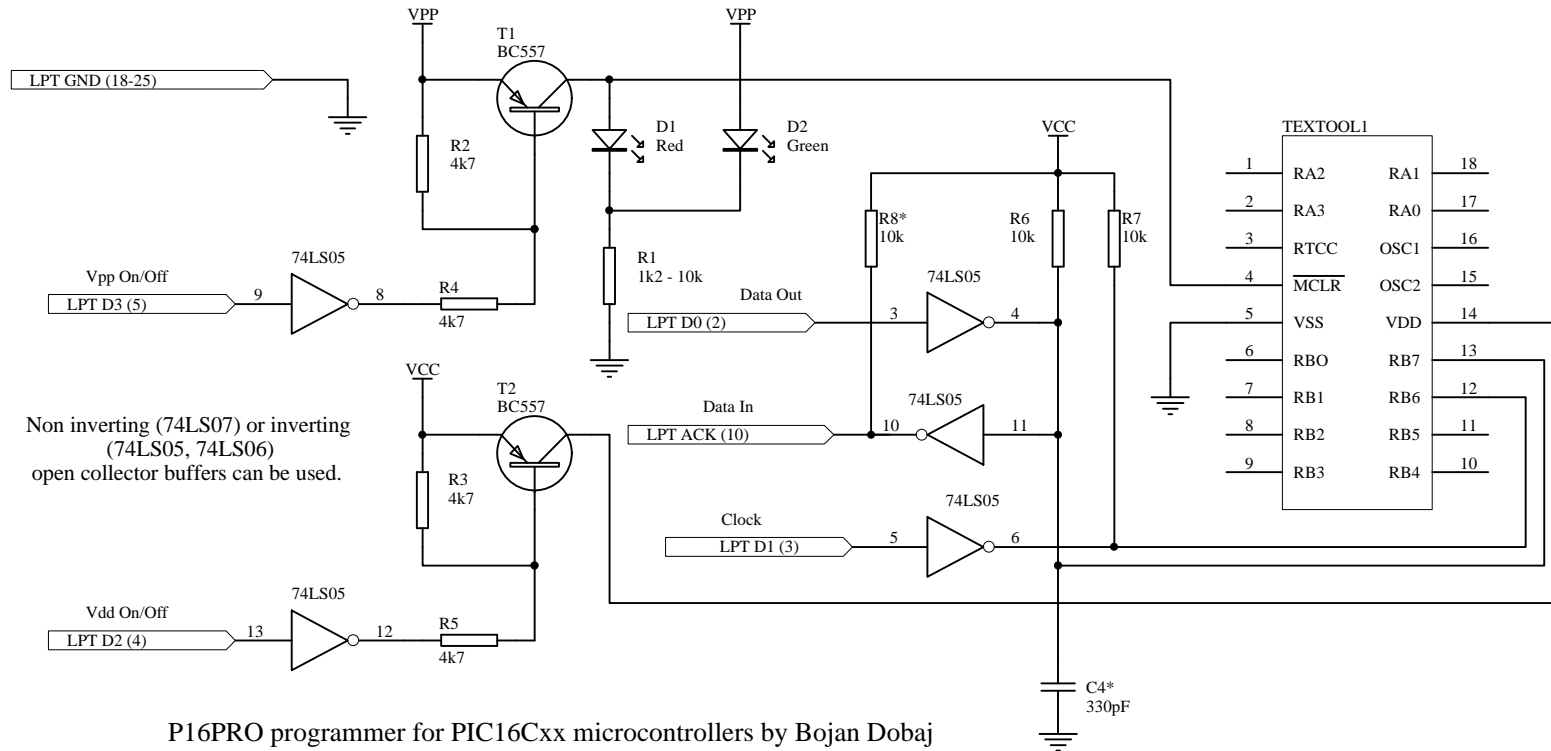


P16PRO parts:

Part	Used	PartType	Designators
1	1	TEXTTOOL 40 ZIF	
2	1	1k	R1
3	6	4k7	R2 R3 R4 R5 R9 R10
4	3	10k	R6 R7 R8 *
5	1	74LS05	
6	1	78L05	IC1
7	1	78L08	IC2
8	2	100nF	C1 C2
9	1	220uF/40V	C3
10	1	330pF	C4 *
11	1	680R	R11
12	1	B80C800	G1
13	3	BC557	T1 T2 T3
14	1	Green	D2
15	2	Red	D1 D3



For the power supply a universal AC/DC (3 - 12V) adaptor can be used. The switch must be in position 12V. It is recommended to change the capacitor inside the adaptor with capacitor for a minimum 25 V. Check the output voltage (unloaded), it must be at least 16V for PIC16C6x and PIC16C7x and minimum 14V for PIC16C84.



P16PRO programmer for PIC16Cxx microcontrollers by Bojan Dobaj

